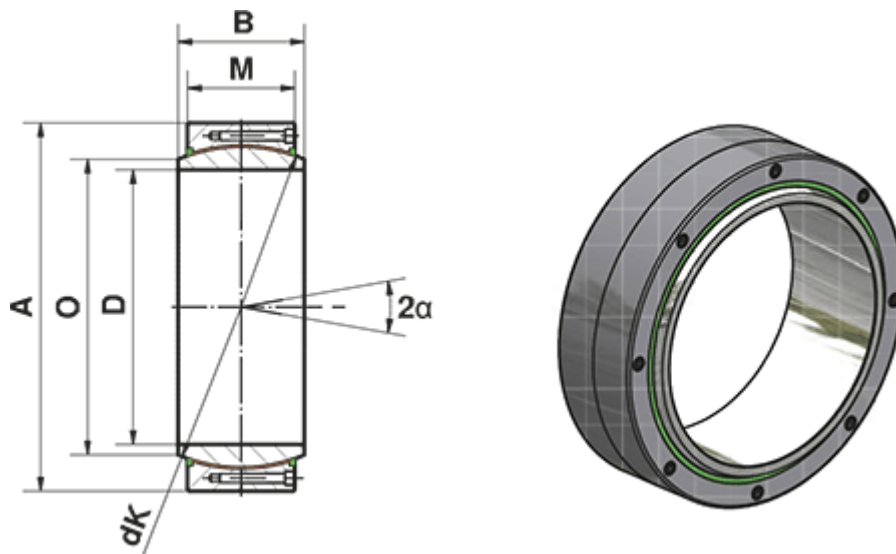


Article number: 03448360

Description: Fluro Heavy Duty Spherical Plain Bearing GE 360 CW-2RS
Hole \varnothing 360

Note: 360

Measures



A	= 480	Static load C0 (kN) = 23675
a (degrees)	= 3.6	Weight (g) = 86
B	= 160	
D	= 360	
dK	= 420	
Dynamic load C (kN)	= 14205	
M	= 135	
O	= 388.3	